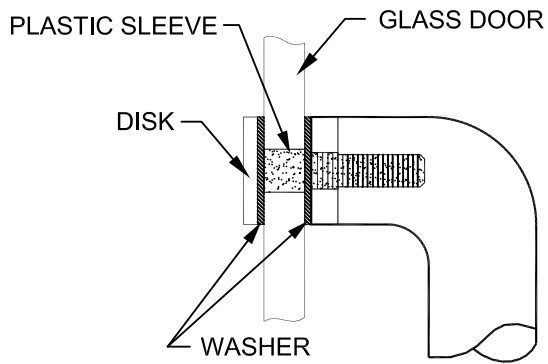
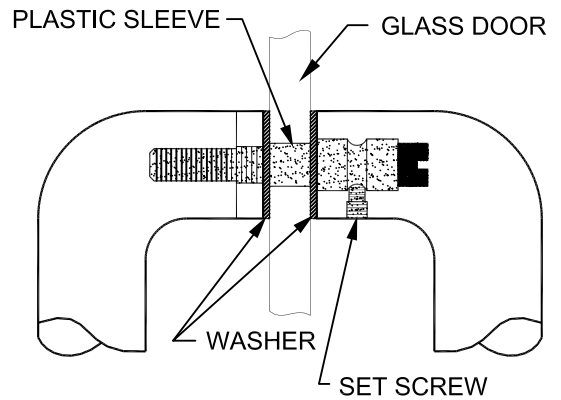


MOUNTING OPTIONS

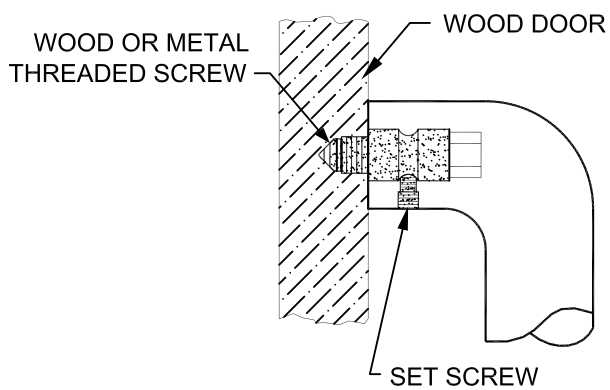
THROUGH BOLT (D)
(FOR GLASS, METAL OR WOOD DOORS)



BACK TO BACK (B)
(FOR GLASS DOORS)



SURFACE (S)
(FOR WOOD OR METAL DOORS)



BACK TO BACK (B)
(FOR WOOD OR METAL DOORS)

